

**WARNING:** Do not drive the vehicle unless the tonneau cover is either in the open position stowed properly utilizing the straps with the clip ends, or closed and fully latched position. Operating the vehicle in any other position is prohibited.

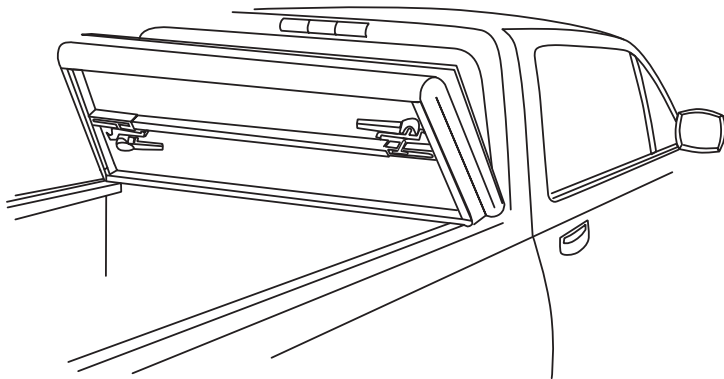
## PRODUCT CARE

Clean the cover with warm water with a non-abrasive mild soap. For standard vinyl covers, use a professional grade vinyl protectant once every six months to keep the vinyl in proper condition. For Premier covers, use a professional grade convertible top protectant every six months to keep the cover in proper condition.

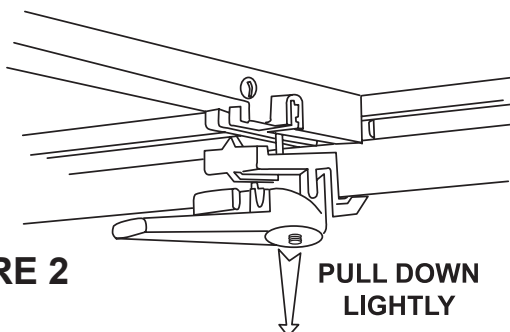
## INSTALLING THE TONNEAU COVER

Prior to initial installation, be sure to clean and wax all painted surfaces that the cover may come into contact. Re-clean and wax these surfaces a minimum of every six months when applying protectant to the cover. Note: The first time installing may take slightly more time than any other installation.

### FIGURE 1



1. Position tonneau cover onto the top of the pickup box. See Figure 1.
2. Align the front edge of the cover even with the front edge of the front bed rail and evenly position the cover so that it is centered on the truck bed from side to side
3. Lower the front clamp from its storage position.
4. Tilt the handle/clamp assembly so that the locator is in the slot, pull down on the assembly, and slide the clamp under the edge of the inner lip of the bed rail. See Figure 2



**FIGURE 2**

PULL DOWN  
LIGHTLY

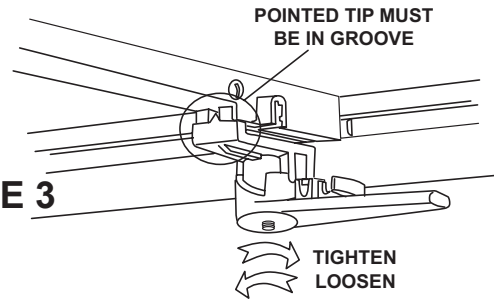
5. Secure the clamp to bed rail by pulling the handle toward the rear of the truck bed ensuring the locator is in the slot. See Figure 3. Verify the clamp is securely and properly engaged by lightly shaking handle assembly. The handle should not move.

5a. If clamp is too loose

1. Push handle forward to release from clamped position.
2. Disengage clamp from inner lip of bed rail and slide assembly inboard.
3. Adjust clamp height on bolt by rotating the entire clamp/handle assembly COUNTER-CLOCKWISE (as viewed from the top).
4. Reattach clamps as indicated in steps 4 and 5.

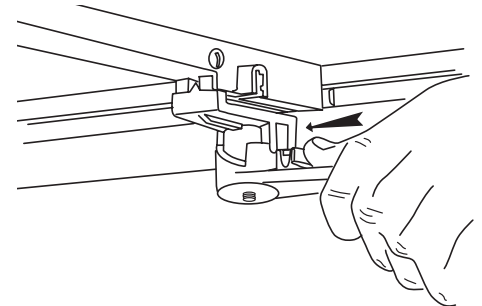
5b. If the clamp is too tight (cannot rotate handle or excessive force is required to do so).

1. Return handle to the fully disengaged position.
2. Disengage clamp from inner lip of bed rail and slide assembly inboard.
3. Adjust the clamp height by rotating the entire clamp/handle assembly CLOCKWISE.
4. Reattach clamps as indicated in steps 4 and 5.



**FIGURE 3**

6. There are locking features on front clamps only. With the handle engaged (clamped position), push the locking tab on the handle to engage lock. See Figure 4.

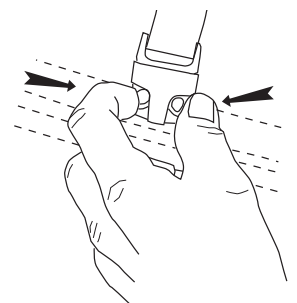


**FIGURE 4**

7. Repeat clamp attachment steps 3 thru 6 for the opposite side.

## TO CLOSE THE TONNEAU COVER

1. Unbuckle both retention straps located on the top of the cover behind the cab and snap into stored position. See Figure 5.



**FIGURE 5**

2. Unfold tonneau cover to the closed position.
3. Lower the rear set of handle/clamp assemblies from stored position.
4. Tilt the handle/clamp assembly so that the locator is in the slot, pull down on the assembly, and slide the clamp under the edge of the inner lip of the bed rail. See Figure 2.
5. Secure the clamp to bed rail by pulling the handle toward the rear of the truck bed ensuring the locator is in the slot. See Figure 3. Verify the clamp is securely and properly engaged by lightly shaking handle assembly. The handle should not move.

5a. If clamp is too loose:

1. Push handle forward to release from clamped position.
2. Disengage clamp from inner lip of bed rail and slide assembly inboard.
3. Adjust clamp height on bolt by rotating the entire clamp/handle assembly COUNTER-CLOCKWISE (as viewed from the top).
4. Reattach clamps as indicated in steps 4 and 5.

5b. If the clamp is too tight (cannot rotate handle or excessive force is required to do so):

1. Return handle to the fully disengaged position.
2. Disengage clamp from inner lip of bed rail and slide assembly inboard.
3. Adjust the clamp height by rotating the entire clamp/handle assembly CLOCKWISE.
4. Reattach clamps as indicated in steps 4 and 5.

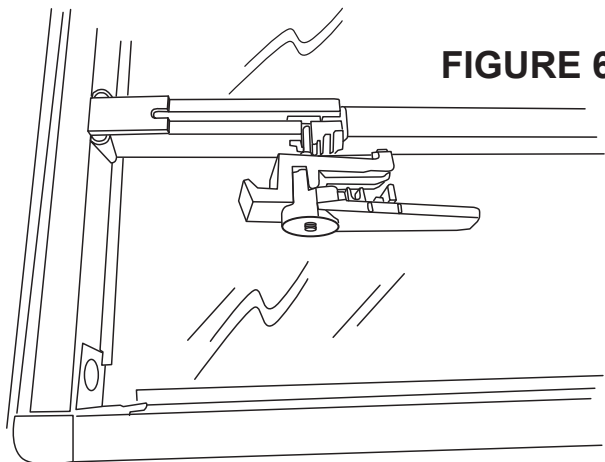
6. Repeat clamp attachment steps 3 thru 6 for the opposite side.

7. Close the endgate.

## TO OPEN THE TONNEAU COVER

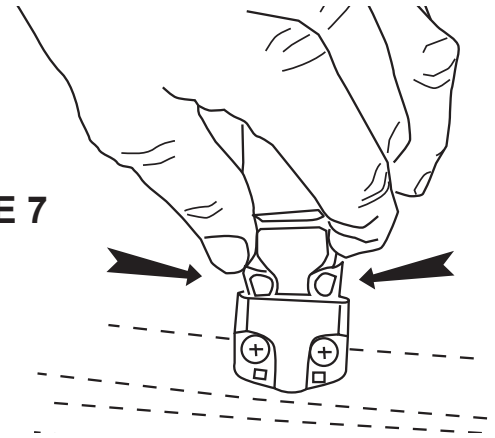
1. Rotate both rear handles inboard to release compression.
2. Pull clamps down and rotate assemblies to disengage from the lip of the truck box.
3. Once handles are released, rotate the panel to the open position.
4. Align the clamp assembly bolt (shaft of the handle) with the retention feature and rotate handle assembly flat onto the panel and press firmly to secure. See Figure 6.

**NOTE** : If stowing cover completely, failure to do this step may result in damage to the cover surface, from handle to cover outer surface contact !!!

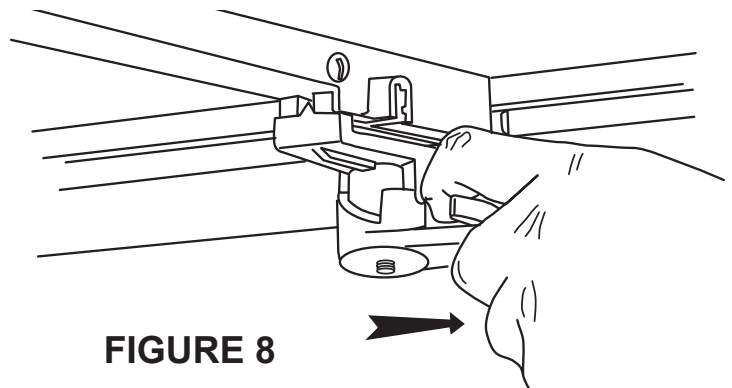


5. Fold cover forward.
6. Unsnap the retaining strap from the front bow and insert the male end into the female end of the front retention buckle. See Figure 7.

**FIGURE 7**



7. Verify both buckles are attached by pulling on the strap. **WARNING:** Damage to personal property and possible injury may occur, if; vehicle is operated without both retaining straps fastened securely when cover is in open position, or if the attachment clamps are not firmly secured to the box lip, or if the clamps are not properly stowed using the retention feature.



**FIGURE 8**

## TO REMOVE THE TONNEAU COVER

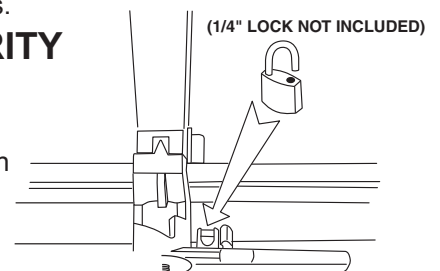
1. Follow the procedure "To open the tonneau cover".
2. Before rotating the front handles, disengage the locking tabs by pulling them rearward on both front handles. See Figure 8.
3. Rotate handles inboard release compression.
4. Pull clamp down and rotate assembly to disengage it from the lip of the truck box.
5. Rotate cover to expose handles.
6. Align the clamp assembly bolt (shaft of the handle) with the retention feature and rotate handle assembly flat onto the panel and press firmly to secure. See Figure 6.
7. Remove the tonneau cover off the vehicle.
8. Exercise caution when lifting due to the cover's weight.

## SECURITY- CARGO PROTECTION

If extra cargo security is desired and your vehicle does not have a locking endgate. See your truck accessory reseller for tailgate lock options.

### COVER SECURITY

For additional theft prevention of the tonneau cover, the front handle is equipped with an eyelet that will accept a 1/4" pad lock. See Figure 9.



**FIGURE 9**

**NOTE:** Prior to operating vehicle, check all four clamps to make sure they are engaged.