

2360 Boswell Road
Chula Vista, CA 91914
Phone 619.216.1444
Fax 619.216.1474
E-Mail tech@explorerprocomp.com



PRO COMP SUSPENSION

Suspension Systems that Work!

**Track Bar Kit - PN 71200
2001 - 2009 Chevrolet /
GMC 4 X 4
HD / 3/4 Ton**

This document contains very important information that includes warranty information and instructions for resolving problems you may encounter. Please keep it in the vehicle as a permanent record.

This document contains very important information that includes warranty information and instructions for resolving problems you may encounter. Please keep it in the vehicle as a permanent record.

Designed for use with Pro Comp Suspension 6" lift kit PN 51800
OR with other lift kits using a 4" lift block.

Track bars are application specific and are purchased separately.

Parts List

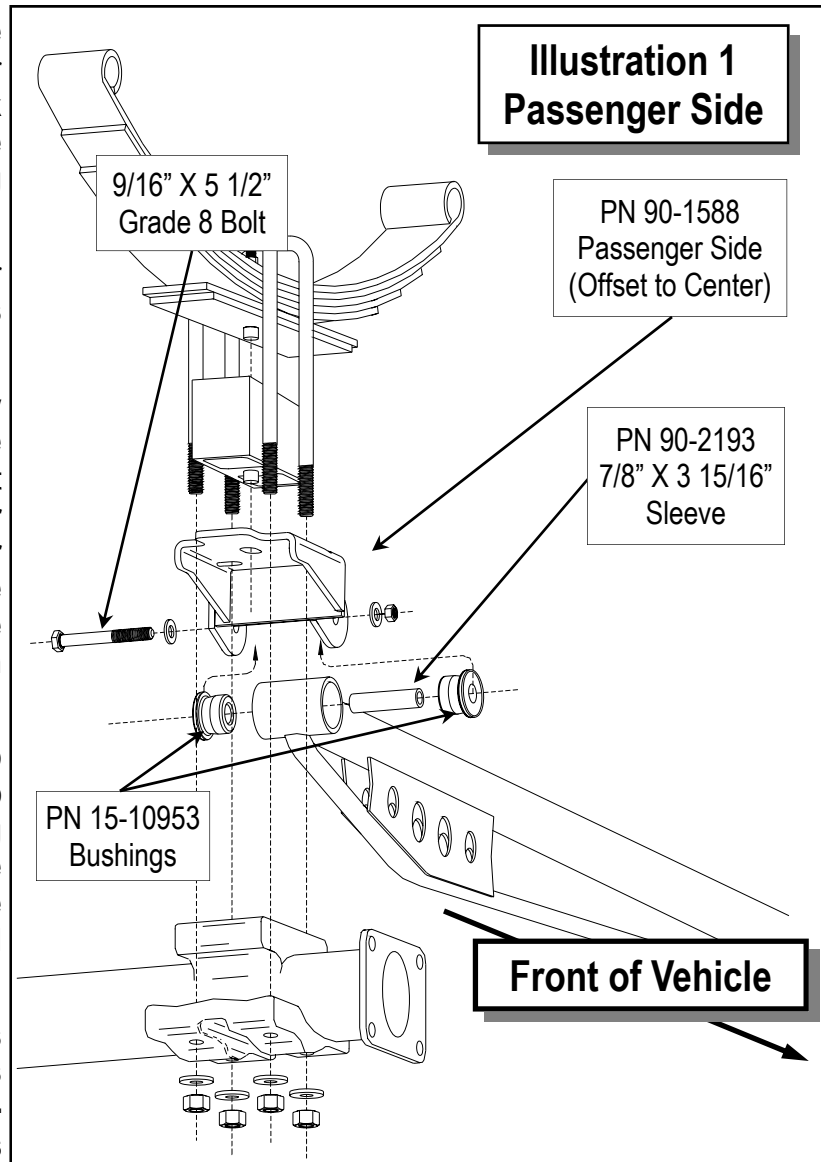
Part #	Description	Quantity	Illustration
90-1474	TRACK BAR FRONT MOUNT	2	2
90-1587	DRIVER SIDE AXLE BRACKET	1	1
90-1588	PASSENGER SIDE AXLE BRACKET	1	1
90-6161	HARDWARE PACK	1	
70-0431251800	7/16" X 1 1/4" GRADE 8 HEX BOLT	6	2
72-04300100816	7/16" TOP LOCK NUT	6	2
73-04300034	7/16" SAE GRADE 8 FLAT WASHER	12	2
90-6162	HARDWARE PACK	1	
70-0565501800	9/16" X 5 1/2" GRADE 8 HEX BOLT	2	1
70-0564501800	9/16" X 4 1/2" GRADE 8 HEX BOLT	2	2
72-05600100816	9/16" TOP LOCK NUT	4	1,2
73-05600034	9/16" SAE GRADE 8 FLAT WASHER	8	1,2
90-6163	HARDWARE PACK, TRACKBAR BUSHINGS	1	
15-10953	TRACK BAR BUSHING	8	1,2
90-2192	REAR BUSHING SLEEVE, 7/8" X 2 13/16"	2	1
90-2193	FRONT BUSHING SLEEVE, 7/8" X 3 15/16"	2	2

Equipment Available from your Pro Comp Distributor!

MX6141R: Rear MX-6 Reservoir Shocks
90-6640B: Front Inner Fender Relocation Bracket Kit
51248: Front Driveshaft Kit
51211: Front Multiple Shock Kit
920500: Steering Stabilizer Kit
72400: Traction Bars
51100: Skid Plate Kit

Also, Check out our outstanding selection of Pro Comp tires to compliment your new installation!

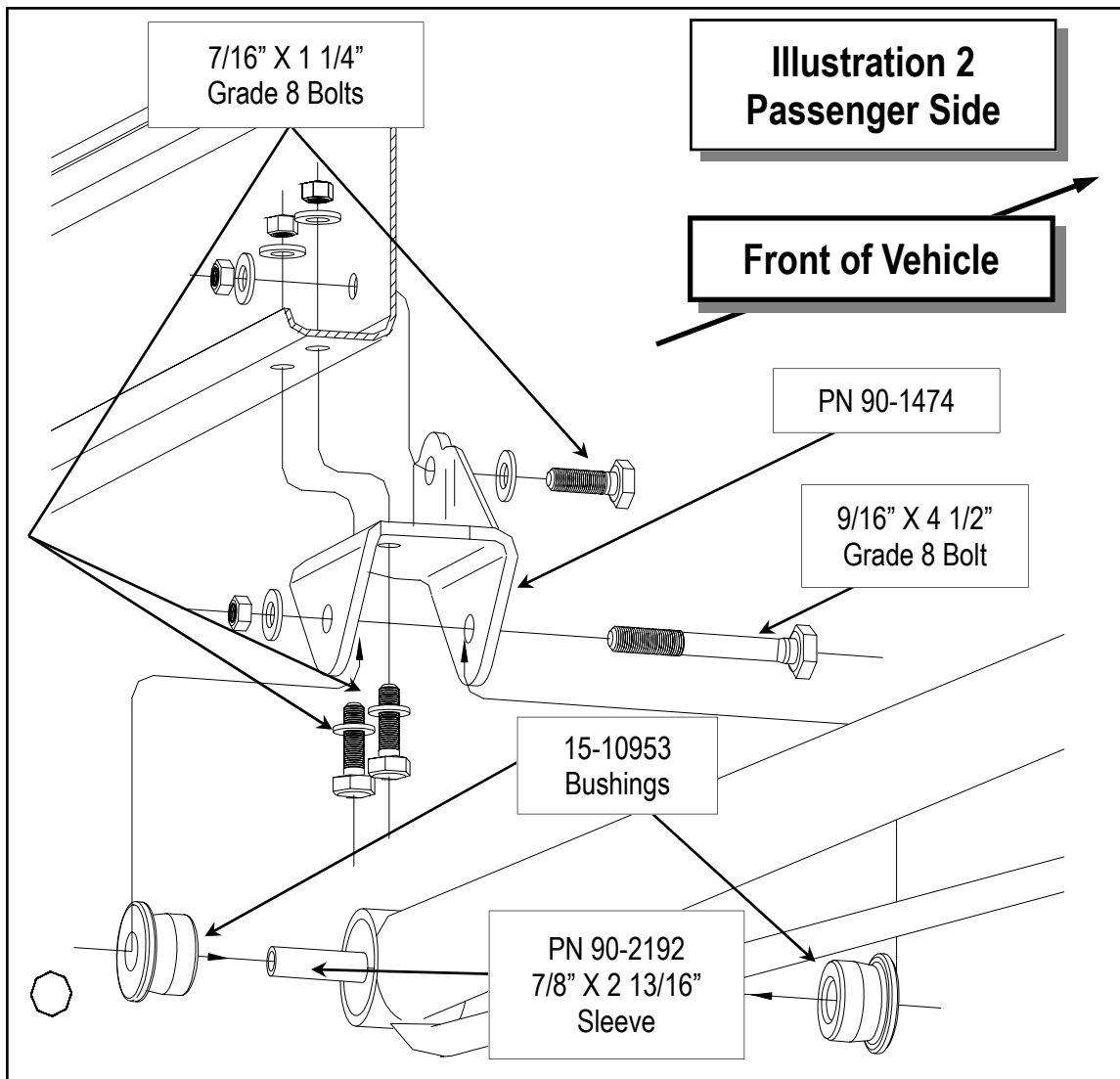
1. Working on one side of the vehicle at a time, raise the rear tire off the ground, place a jack stand on the flat part of the frame ahead of the rear spring and remove the wheel.
2. Support the axle with your floor jack and remove the U-bolts from the axle.
3. Carefully lower the axle away from the spring pack until there is sufficient clearance to insert the track bar adapter (**Driver Side 90-1587 / Passenger Side 90-1588**) between the spacer block and the axle mount pad as shown in **Illustration 1**.
4. Raise the axle back up into position. Make sure to carefully line up the locating bolts and dowels to insure proper alignment. Reinstall the U-bolts, nuts, and washers and torque to specifications.
5. Install the urethane bushings (**PN 15-10953**) and sleeves (**PN 90-2192 Front, PN 90-2193 Rear**) into your track bars (Track bars are sold separately) using **Illustrations 1 and 2** for reference. Install the front mounts (**PN 90-1474**) with the 9/16" X 4 1/2" bolts. Leave loose for the moment.



6. Place the track bar into the previously installed mount at the rear axle. A 9/16" X 5 1/2" bolt with one hardened washer is installed *from the center* of the vehicle through the mount and track bar assembly. Install the hardened washer and nut.. Snug up this hardware and check for clearance between the bolt and the rear brake caliper.
7. Recheck the torque on the U-bolts, install the tire back on the vehicle and lower the vehicle to the ground. At this point the front of the track bar should NOT be attached to the frame!!
8. Repeat the above procedure on the other side of the vehicle and lower the truck to the ground.

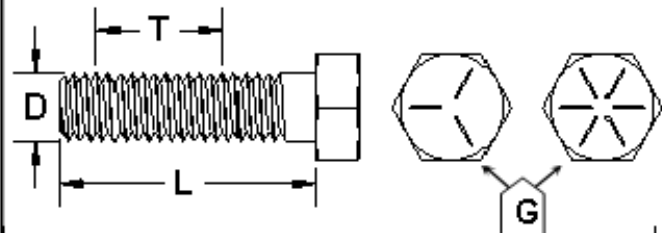
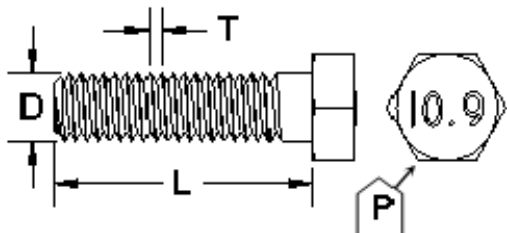
NOTE: It is VERY important that the next step is done with the truck on the ground, and the suspension is at normal ride height.

9. Raise each track bar up until the front mount is in contact with the frame as shown in **Illustration 2**. Mark the location of the mounting holes on the frame. Center punch the location of the mount holes and drill out with a 15/32" drill bit. Install the provided 7/16" X 1 1/4" hardware. Torque to specifications.
10. Repeat this operation on the other side.
11. Raise the track bars up into the newly installed brackets and install the provided 9/16" X 4 1/2" bolts as shown.
12. Recheck all fasteners and torque to specifications.



Use this only as a guide for hardware without a called out torque specification in the instruction manual.

Bolt Torque and ID						
Decimal System			Metric System			
All Torques in Ft. Lbs. Maximums						
Bolt Size	Grade 5	Grade 8	Bolt Size	Class 9.8	Class 10.9	Class 12.9
5/16	15	20	M6	5	9	12
3/8	30	45	M8	18	23	27
7/16	45	60	M10	32	45	50
1/2	65	90	M12	55	75	90
9/16	95	130	M14	85	120	145
5/8	135	175	M16	130	165	210
3/4	185	280	M18	170	240	290

	
<p>1/2-13x1.75 HHCS</p> <p>Grade 5 Grade 8</p> <p>(No. of Marks + 2)</p> <p>D T L X</p>	<p>M12-1.25x50 HHCS</p> <p>D T L X</p>
<p>G = Grade (Bolt Strength)</p> <p>D = Nominal Diameter (Inches)</p> <p>T = Thread Count (Threads per Inch)</p> <p>L = Length (Inches)</p> <p>X = Description (Hex Head Cap Screw)</p>	<p>P = Property Class (Bolt Strength)</p> <p>D = Nominal Diameter (Millimeters)</p> <p>T = Thread Pitch (Thread Width, mm)</p> <p>L = Length (Millimeters)</p> <p>X = Description (Hex Head Cap Screw)</p>

Notice to Owner operator, Dealer and Installer:

Vehicles that have been enhanced for off-road performance often have unique handling characteristics due to the higher center of gravity and larger tires. This vehicle may handle, react and stop differently than many passenger cars or unmodified vehicles, both on and off-road. You must drive your vehicle safely! Extreme care should always be taken to prevent vehicle rollover or loss of control, which can result in serious injury or even death. Always avoid sudden sharp turns or abrupt maneuvers and allow more time and distance for braking! Pro Comp reminds you to fasten your seat belts at all times and reduce speed! We will gladly answer any questions concerning the design, function, maintenance and correct use of our products.

Please make sure your Dealer/Installer explains and delivers all warning notices, warranty forms and instruction sheets included with Pro Comp product.

Application listings in this catalog have been carefully fit checked for each model and year denoted. However, Pro Comp reserves the right to update as necessary, without notice, and will not be held responsible for misprints, changes or variations made by vehicle manufacturers. Please call when in question regarding new model year, vehicles not listed by specific body or chassis styles or vehicles not originally distributed in the USA.

Please note that certain mechanical aspects of any suspension lift product may accelerate ordinary wear of original equipment components. Further, installation of certain Pro Comp products may void the vehicle's factory warranty as it pertains to certain covered parts; it is the consumer's responsibility to check with their local dealer for warranty coverage before installation of the lift.

Warranty and Return policy:

Pro Comp warrants its full line of products to be free from defects in workmanship and materials. Pro Comp's obligation under this warranty is limited to repair or replacement, at Pro Comp's option, of the defective product. Any and all costs of removal, installation, freight or incidental or consequential damages are expressly excluded from this warranty. Pro Comp is not responsible for damages and / or warranty of other vehicle parts related or non-related to the installation of Pro Comp product. A consumer who makes the decision to modify his vehicle with aftermarket components of any kind will assume all risk and responsibility for potential damages incurred as a result of their chosen modifications. Warranty coverage does not include consumer opinions regarding ride comfort, fitment and design. Warranty claims can be made directly with Pro Comp or at any factory authorized Pro Comp dealer.

IMPORTANT! To validate the warranty on this purchase please be sure to mail in the warranty card.

Claims not covered under warranty-

- Parts subject to normal wear, this includes bushings, bump stops, ball joints, tie rod ends and heim joints
 - Discontinued products at Pro Comp's discretion
- Bent or dented product
- Finish after 90 days
- Leaf or coil springs used without proper bump stops
- Light bulbs
- Products with evident damage caused by abrasion or contact with other items
- Damage caused as a result of not following recommendations or requirements called out in the installation manuals
- Products used in applications other than listed in Pro Comp's catalog
- Components or accessories used in conjunction with other manufacturer's systems
- Tire & Wheel Warranty as per Pro Competition Tire Company policy
- Warranty claims without "Proof of Purchase"
- Pro Comp Pro Runner coil over shocks are considered a serviceable shock with a one-year warranty against leakage only. Rebuild service and replacement parts will be available and sold separately by Pro Comp. Contact Pro Comp for specific service charges.
- Pro Comp accepts no responsibility for any altered product, improper installation, lack of or improper maintenance, or improper use of our products.

E-Mail: tech@explorerprocomp.com
Website: www.explorerprocomp.com
Fax: (619) 216-1474
Ph: (619) 216-1444

PLACE
WARRANTY REGISTRATION
NUMBER
HERE: _____