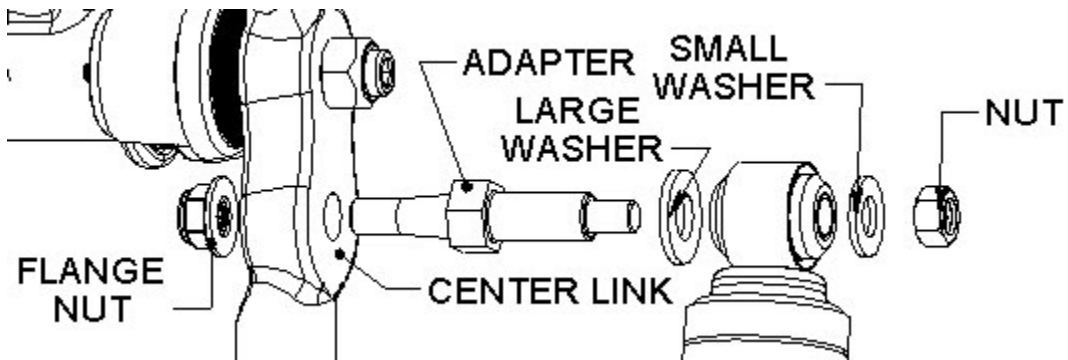




FTS8028/ FTS8044
2011-15 GM 2500HD/3500HD 2/4WD
Steering Stabilizer Kit

Qty	Part Number	Description
1	FT20519	Hardware Kit
1	FT402087	Sleeve .620x.500x1.380
2	FT8028I	Instructions
1	FT89031	Stud Kit
1	FTS7001/FTS6601	Steering Stabilizer



FT8028i

3/25/14 JP