



4331 EUCALYPTUS AVE. ~~ CHINO, CA 91710
909-597-7800 Fax 909-597-7185

2001-2004 FORD F-250/350 SUPER DUTY 4 WHEEL DRIVE

2000-03 EXCURSION 4 WHEEL DRIVE

FTS424-1BK 3.5" LIFT BOX KIT

PARTS LIST:

1 EA. FRT. SPRING HANGER PASS. SIDE FT424-1P	6 EA. 7/16" NYLOCK NUTS
1 EA. FRT. SPRING HANGER DRIV. SIDE FT424-1D	6 EA. 7/16" X 1 1/2" BOLTS
2 EA. REAR SHACKLE BRACKETS FT424-1	12 EA. 7/16" SAE WASHERS
1 EA. DRIVER'S SIDE BUMPER BRACKET FT424-4D	1 EA. CROSSMEMBER FT424-3
1 EA. PASS. SIDE BUMPER BRACKET FT424-4P	4 EA. 3/8" X 1 1/4" BOLTS
4 EA. 3/8" NYLOCK NUTS	8 EA. 3/8" SAE WASHERS

CHECK ALL PARTS INCLUDED IN THIS KIT TO THE PARTS LIST ABOVE BEFORE BEGINNING INSTALLATION OF THE KIT. IF ANY PIECES ARE MISSING, CONTACT FABTECH AT 909-597-7800

TOOL LIST:

**FLOOR JACK AND JACK STANDS
ASSORTED METRIC AND S. A. E. WRENCHES AND SOCKETS**

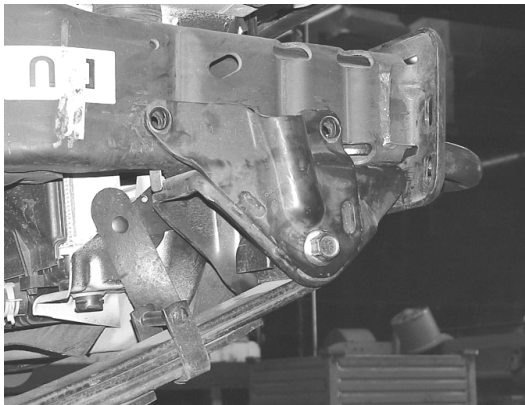
THIS FRONT KIT MUST BE INSTALLED WITH FTS7265 FRONT SHOCKS, WHICH ARE NOT INCLUDED WITH THIS KIT.

READ ALL INSTRUCTIONS THOROUGHLY FROM START TO FINISH BEFORE BEGINNING INSTALLATION.

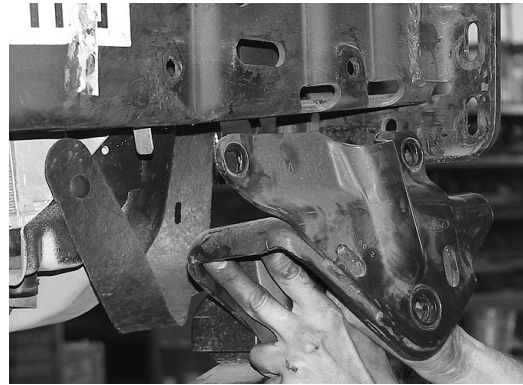
INSTRUCTIONS:

|

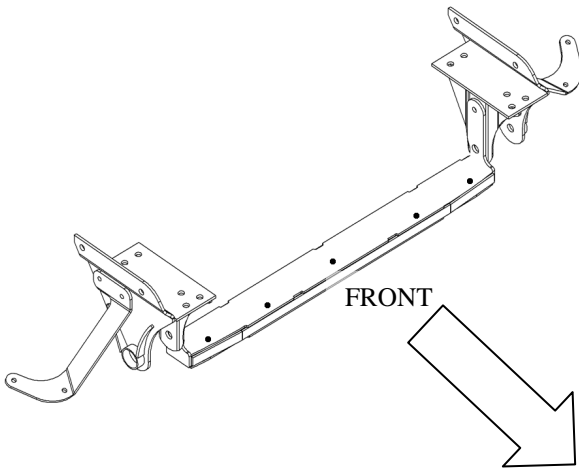
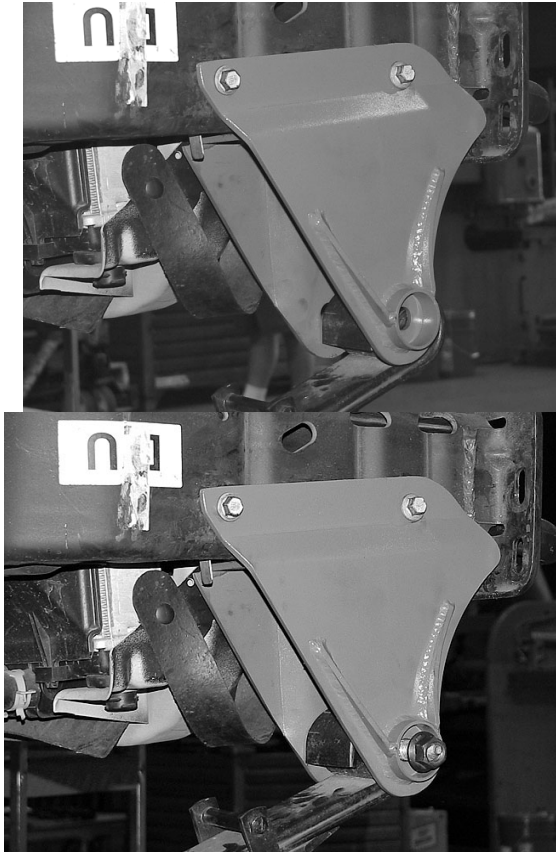
1. Disconnect the negative terminal on the battery. Jack up the front end of the truck and support the frame, at the front frame rails, with jack stands. **NEVER WORK UNDER AN UNSUPPORTED VEHICLE.** Remove the front tires.
2. Remove the front bumper from the truck and save all hardware. Set the bumper aside.
3. Supporting the front axle with two floor jacks, remove the front shocks and disconnect the sway bar end links from the frame mounts. Remove the bolt from the top end of the track bar, where it connects to the frame bracket and pull the track bar free of the bracket.
4. Loosen the four leaf spring bushing bolts, **DO NOT REMOVE THEM.** With the floor jacks supporting the axle, remove the front bushing bolts followed by the rear bolts that connect the top of the shackles to the frame, separating the shackles from the frame. Slowly lower the floor jacks until the leaf springs and shackles clear the frame mounts. **DO NOT LOWER THE AXLE BEYOND THE LIMIT OF THE BRAKE LINES, REMOVE THE BRAKE CALIPERS IF NECESSARY. SEE PHOTOS BELOW.**



5. Remove the seven bolts securing each front leaf spring bracket to the frame and slide the brackets off the frame. SEE PHOTOS BELOW.



6. Place the new front spring hanger onto the frame aligning the holes on the bracket with the existing holes in the frame. Make sure to use the proper bracket on each side of the frame, both brackets are labeled. Attach the bracket to the frame using the original hardware. Repeat this on the opposite side. Slide the crossmember in between the two spring hangers and insert the 2 original spring pivot bolts through the crossmember and the spring hangers. Place one of the supplied 7/16" bolts in each upper hole on the crossmember, with a washer on each side and a nylock nut. Once everything is aligned, fully torque all hardware. Pull out the front spring bolts out just enough to allow you to reinstall the front leaf springs. Raise the floor jacks supporting the front axle and align the front of the leaf springs with the holes in the hangers. Reinstall the original bushing bolts, but do not tighten. SEE PHOTOS AND DIAGRAM BELOW AND ON NEXT PAGE.



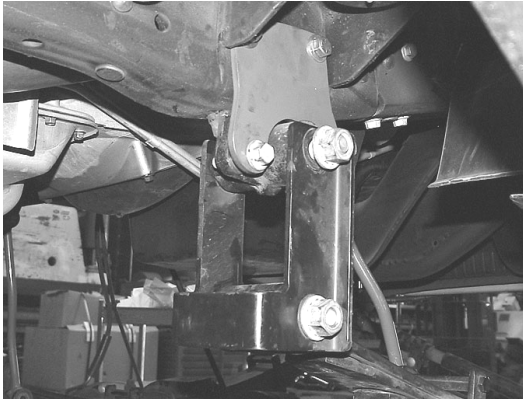
2000-2003 models only

7. Attach the new bumper brackets to the spring hangers using the supplied 3/8" hardware with a washer on each side, followed by a nylock nut. Attach the outer end of the brackets to the bumper using the factory hardware. Fully torque all hardware. Using the original self-tapping bolts, attach the lower valance to the bolt holes on top of the new crossmember. **On 2002-2003 models the stock bumper brackets will be reinstalled. SEE DIAGRAM ABOVE.**
8. Remove the four bolts securing the rear shackle bracket to the frame. Flip the bracket underneath the frame and reinstall the two lower frame bolts. Place the rear shackle bracket against the side of the frame with the welded spacers against the shackle bracket. Install the

supplied 7/16" hardware, with a flat washer on each side of the frame, in the upper bracket holes. Install the original bolts in the side of the bracket and fully torque all hardware. Repeat this on the opposite side of the truck. SEE PHOTOS IN NEXT COLUMN.



9. Raise the floor jacks supporting the front axle and align the shackle with the frame bracket. Insert the original bushing bolts, but do not tighten. SEE PHOTO BELOW.



10. Reconnect the track bar to the frame mount using the original bolt, but do not tighten. You may have to raise the jacks supporting the axle to align the hole. Install the new front shocks.

11. Reinstall the front bumper to the original location using the original hardware.
12. Put the front tires back on and fully torque the lugs. Factory lug nut torque specification can be found in your owner's manual. Raise the jacks supporting the front axle enough to release the jack stands from the front frame rails and set the truck back onto the ground. Fully torque all leaf spring bolts, shackle bolts and the track bar bolt. Reconnect the sway bar end links to the frame mounts and full tighten.
13. Check the torque on all fasteners and adjust the drag link to center the steering wheel. Drive the truck 1-2 miles and retorque all nuts, bolts, and lugs. Recenter the steering wheel if necessary.
14. Check front-end alignment and set to factory specifications. Re-adjust headlights.

RETORQUE ALL NUTS, BOLTS AND LUGS AFTER 50 MILES AND PERIODICALLY THEREAFTER.

For technical assistance call: 909-597-7800

Product Warranty and Warnings-

Fabtech provides a Limited Lifetime Warranty to the original retail purchaser who owns the vehicle, on which the product was originally installed, for defects in workmanship and materials.

The Limited Lifetime Warranty excludes the following Fabtech items; bushings, bump stops, ball joints, tie rod ends, limiting straps, cross shafts, heim joints. These parts are subject to wear and are not considered defective when worn. They are warranted for 60 days from the date of purchase for defects in workmanship.

Take apart shocks are considered a serviceable shock with a one year warranty on leakage only. Service seal kits are available separately for future maintenance. All other shocks are covered under our Limited Lifetime Warranty.

Fabtech does not warrant any product for finish, alterations, modifications and/or installation contrary to Fabtech's instructions. Alterations to the finish of the parts including but not limited to painting, powdercoating, plating and/or welding will void all warranties. Some finish damage may occur to parts during shipping which is considered normal and is not covered under warranty.

Fabtech products are not designed nor intended to be installed on vehicles used in race applications or for racing purposes or for similar activities. (A "RACE" is defined as any contest between two or more vehicles, or any contest of one or more vehicle against the clock, whether or not such contest is for a prize). This warranty does not include coverage for police or taxi vehicles, race vehicles, or vehicles used for government or commercial purposes. Also excluded from this warranty are sales outside of the United States of America.

Installation of most suspension products will raise the center of gravity of the vehicle and will cause the vehicle to handle differently than stock. It may increase the vehicle's susceptibility to a rollover, on road and off road, at all speeds. Extreme care should be taken to operate the vehicle safely at all times to prevent rollover or loss of control resulting in serious injury or death. Fabtech front end Desert Guards may impair the deployment or operation of vehicles equipped with supplemental restraining systems/air bag systems and should not be installed if the vehicle is equipped as so.

Fabtech makes every effort to ensure suspension product compatibility with all vehicles listed in the catalog, but due to unknown auto manufacturers production changes and/or inconsistencies by the auto manufacturer, Fabtech cannot be responsible for 100% compatibility, including the fitment of tire and wheel sizes listed. The Tire and Wheel sizes listed in Fabtech's catalog are only a guideline for street driving with noted fender trimming. Fabtech is not responsible for damages to the vehicle's body or tires.

Fabtech's obligation under this warranty is limited to the repair or replacement, at Fabtech option, of the defective product only. All costs of removal, installation or re-installation, freight charges, incidental or consequential damages are expressly excluded from this warranty. Fabtech is not responsible for damages and/or warranty of other vehicle parts related or non related to the installed Fabtech product. This warranty is expressly in lieu of all other warranties expressed or implied. This warranty shall not apply to any product that has been subject to accident, negligence, alteration, abuse or misuse as determined by Fabtech.

Fabtech suspension components must be installed as a complete system including shocks as shown in our current catalog. All warranties will become void if Fabtech parts are combined and/or substituted with other aftermarket suspension products. Combination and/or substitution of other aftermarket suspension parts may cause premature wear and/or product failure resulting in an accident causing injury or death. Fabtech does not warrant products not manufactured by Fabtech.

Installation of Fabtech product may void the vehicles factory warranty; it is the consumer's responsibility to check with their local vehicle's dealer for warranty disposition before the installation of the product.

It is the responsibility of the distributor and/or the retailer to review all warranties and warnings of Fabtech products with the consumer prior to purchase.

Fabtech reserves the right to supercede, discontinue, change the design, finish, part number and, or application of parts when deemed necessary without written notice. Fabtech is not responsible for misprints or typographical errors within the catalog or price sheet.