



f

Installation Instructions



4" Performance Suspension System

1997-2006 JEEP TJ 4WD

Fabtech Motorsports 4331 Eucalyptus Ave. Chino, CA 91710
Tech Line 909-597-7800 Fax 909-597-7185 Web www.fabtechmotorsports.com



www.fabtechmotorsports.com

**4" 1997-2006 JEEP TJ 4WD
FTS24001BK**

FTS24001 4" Jeep TJ Box 1		
Qty	Part #	Description
2	FT50013	Frt Sway Bar Bracket Upper
1	FT50036	Frt Sway Bar Brk. Lower Dr.
1	FT50066	Frt. Sway Bar Brk. Lower Pas
1	FT50068BK	4" Frt Sway Bar Link Drv
1	FT50069BK	4" Frt Sway Bar Link Pass
1	FT50015	Pitman Arm
4	FT50027	Urethane Bump Stop
4	FT50018BK	Frt & RR Lower Links 4"
6	FT50024	T/C Spacer
1	FT50053BK	Rear Axle Trac Bracket
2	FT50026BK	Rear Sway Bar Links
1	FT50086	Hardware Kit
1	FT50134BK	Frt. Trac Bar Bracket
1	FT50336	Hdwr Sub-Assembly

FT50336 Hdwr Sub-Assembly Kit		
Qty	Part #	Description
2	FT50067	Sway Bar link Frame Bracket
2	FT42	Sway Bar Pin
2	FT90036	Lynch Pin
2	FT45	Sway Bar Key Ring 1 1/2"
2	FT50096	Bolt Tab Sway Bar
1	FT46	Rear Trac Bar Bracket Sleeve
2	FT50023	Frt Brake Hose Bracket
6	FT50205	97-02 Pan Bolt Taper Insert
1	FT50063	TC Shift Bracket
2	FT50048	Bushing Kit
1	FT50089	Sleeve Kit (frt sway bar)
1	FT50092	Sleeve Kit (rear sway bar)
1	FT95010	Trac Bar Frame Insert
1	56122251081	9/16"-12 x 2 1/4" Bolt
1	56120003052	9/16"-12 C-Lock Nut
1	56000005081	9/16" SAE Flat Washer
2	50130004152	1/2"-13 C-Lock Nut
2	50000005081	1/2" SAE Flat Washer
1	50131751081	1/2"-13 x 1 3/4" bolt
1	12002007000	Cotter Pin
1	FTREGCARD	Registration Card
1	FTAS12	Decal
1	FTAS16	Driver Warning Sticker
2	FT24001i	Instruction Sheet

FT50086 Hardware Kit	
Qty.	Description
1	1/2"- 13 x 3" Bolt
1	1/2"- 13 x 1 1/4" Bolt
2	1/4"-20 x 1" Bolt
2	5/16"- 18 X 1" Bolt
6	1/2"- 13 x 3 1/4" Bolt
6	12mm- 1.75 x 80mm
2	1/2"-13x 2 3/4" Bolt
2	3/8"-16 Nylok Nut
2	3/8" SAE Flat Washer
2	5/16"x3/4" Self Tapping Bolt
2	1/2"- 13 x 1 1/2" Bolt
6	1/2"-13 Nylok Nut
2	1/4"-20 Nylok Nut
4	5/16"-18 Nylok Nut
18	1/2" SAE Flat Washer
6	12mm Flat Washer
4	1/4" SAE Flat Washer
6	5/16" SAE Flat Washer
1	1/8" x 2" Cotter Pin
8	Zerk Fittings



www.fabtechmotorsports.com

*4" 1997-2006 JEEP TJ 4WD
FTS24001*

READ BEFORE BEGINNING INSTALLATION

TOOL LIST: (NOT INCLUDED)

- FLOOR JACK & JACK STANDS
- ASSORTED METRIC AND S.A.E SOCKETS, & WRENCHES
- TORQUE WRENCH
- DRILL AND ASSORTED DRILL BITS

SOME 2003 & UP MODELS MAY REQUIRES FRONT DRIVE MODIFICATION, CHECK DRIVE LINE BEFORE DRIVING JEEP.

DO NOT ALTER THE FINISH OF THESE COMPONENTS, EXAMPLE- CHROMING, ZINC PLATING OR PAINTING. CHANGING THE FINISH CAN CAUSE STRUCTURAL FATIGUE OF COMPONENTS.

SUSPENSION SYSTEM MUST BE INSTALLED WITH FABTECH SHOCK ASBORBERS

VEHICLES THAT WILL RECEIVE OVERSIZED TIRES SHOULD CHECK BALL JOINTS, TIE RODS ENDS AND IDLER ARM EVERY 2500-5000 MILES FOR WEAR AND REPLACE AS NEEDED

THIS KIT IS DESIGNED TO BE INSTALL ON A JEEP WITH STOCK AXLES & STOCK TRANSFER CASE & STOCK SUSPENSION

READ ALL INSTRUCTIONS THOROUGHLY FROM START TO FINISH BEFORE BEGINNING INSTALLATION! IF THESE INSTRUCTIONS ARE NOT PROPERLY FOLLOWED, SEVERE FRAME, DRIVELINE AND / OR SUSPENSION DAMAGE MAY RESULT.

NOTE- PRIOR TO THE INSTALLATION OF THIS SUSPENSION SYSTEM A FRONT END ALIGNMENT MUST BE PERFORMED AND RECORDED. DO NOT INSTALL THIS SYSTEM IF THE VEHICLE ALIGNMENT IS NOT WITHIN FACTORY SPECIFICATIONS. CHECK FOR FRAME AND SUSPENSION DAMAGE PRIOR TO INSTALLATION.

CHECK ALL PARTS INCLUDED IN THIS KIT TO THE PARTS LIST ABOVE BEFORE BEGINNING INSTALLATION OF THE KIT. IF ANY PIECES ARE MISSING, CONTACT FABTECH AT 909-597-7800

NOT ALL JEEPS COME WITH FRONT ECCENTRIC CAMS FROM THE FACTORY,SOME JEEPS WILL REQUIRE MORE CASTER TO HELP WITH ALIGNMENT.

Check fit front trac bar bracket before drilling the hole, if bracket does not fit contact Fabtech tech line 909-597-7800

FRONT SUSPENSION INSTRUCTIONS:

1. Disconnect the negative terminal on the battery. With the Jeep on level ground set the emergency brake and block the rear tires. Jack up the front end of the truck and support the frame rails just behind the front bumper with jack stands. **NEVER WORK UNDER AN UNSUPPORTED VEHICLE!** Remove the front tires. Support the front axle with a floor jack just enough so that axle does not hang freely.
2. Working from both sides of the Jeep, remove the front upper track bar nut and save. Pull the trac bar free from factory mount.
3. Remove the sway bar link ends from the sway bar and lower axle mounts and discard.
4. On 2003 models equipped with automatic transmissions, you will need to remove the automatic transmission skid plate and discard.
5. Remove the front shocks and discard. Save factory lower shock hardware, discard upper hardware.
6. Remove the front drive shaft and save all hardware. **On some 2003 & up models you will need to shorten the front driveline 1 3/4", check drive shaft for proper clearance before driving.** On 1997-2002 models the stock driveline can be reinstalled without modification.
7. Remove front coil springs and discard, save the lower coil spring retainer (if equipped) and hardware. Remove factory upper bump stop and discard.
8. Working from the driver side of the truck, locate the factory lower link arm, remove and discard link and save factory hardware.
9. Locate the new Fabtech lower link arm FT50018. Install one supplied grease fitting into each end of the Fabtech Link arm. Using factory hardware install the new link arm into factory frame mount, then attach to axle mount using the factory alignment cam bolts. Leave loose. **NOTE: MAKE SURE THE GUSSETS ON BOTH ENDS OF THE LINK ARM ARE FACING DOWN.** SEE PHOTO IN NEXT COLUMN.



10. If installing Fabtech's optional upper link arm kit, install front upper at this time. See instructions included in Fabtech's upper link arm kit.

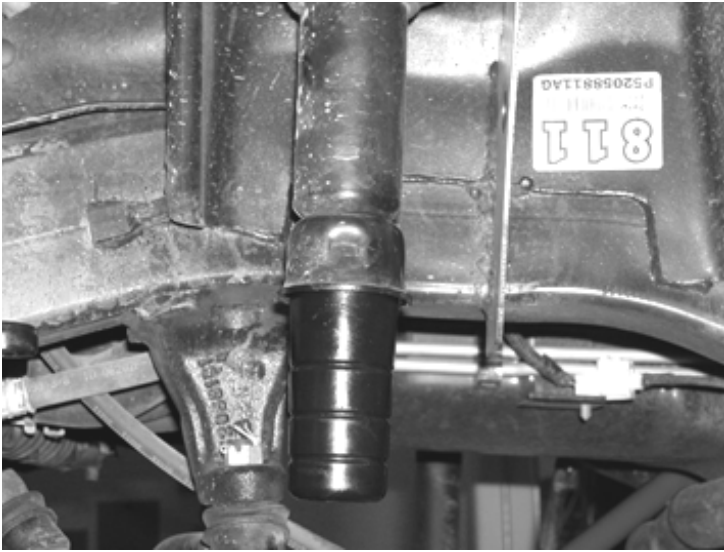
Step 11 is to be performed on NON RUBICON models only.

Rubicon models brake lines will remain in stock location.

11. Locate the factory brake line tab on the frame and remove bolt. Locate the new Fabtech brake line bracket FT50023 and attach it to the frame with the stock bolt. Now attach the stock brake line tab to the new Fabtech bracket with the supplied 5/16 x 1" bolt, nut, and washer. SEE PHOTO BELOW.

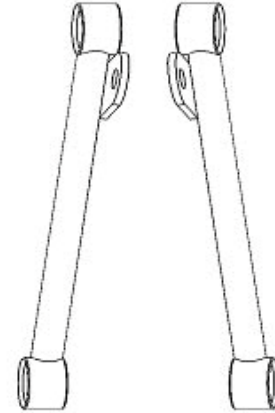


12. Locate the new Fabtech bump stop FT50027. Install into factory pocket by pushing bump stop in until fully seated. SEE PHOTO ON NEXT PAGE.



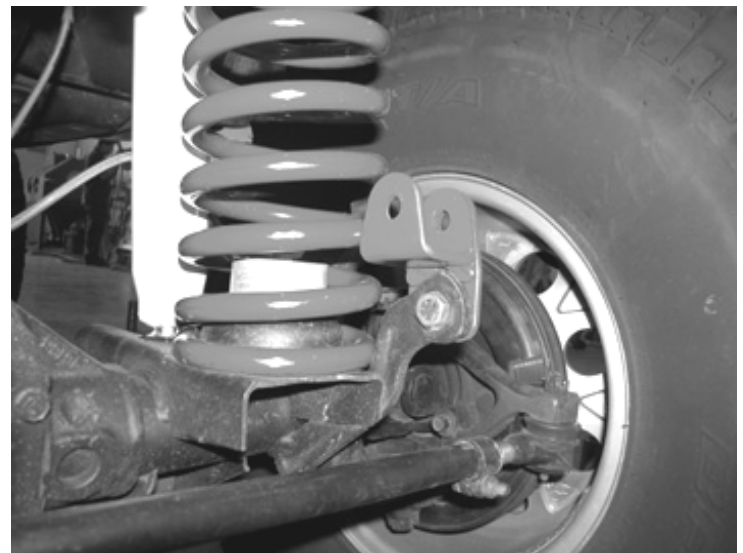
13. Repeat steps seven through twelve on the passenger side of the truck.
14. Working from both sides of the truck Torque the lower link arm bolts on the frame mounts to 130 ft lbs and to the axel mounts to 85 ft lbs.
15. Locate the new Fabtech lift coil springs FT50004 and install into the truck. You will want to slide coil over the upper bump stop first than seat the coil in the lower pocket. If truck was equipped, reinstall lower coil spring retainer.
16. Locate the new Fabtech front shocks FT7172 (not included in kit) and install using factory lower hardware and the supplied upper hardware from shock kit.
17. Locate the new Fabtech upper sway bar end link bracket FT50013. Attach to the factory sway bar with the included 3/8" nyloc nut and washer. Locate the new Fabtech lower sway bar end link bracket FT50036 (**Note: There is a driver and passenger lower sway bar end link bracket take care to locate the correct bracket. When installing bracket onto truck make sure the key way on the new bracket is locked into the factory mount and that the bracket is straight up and down**). Attach to the factory axle mount with the supplied 1/2" x 1 1/2" bolt, nut and washer. Locate the new Fabtech sway bar end link FT50070 (**Note: There is a driver and passenger sway bar end link, see drawing**) and press one bushing and one sleeve from the supplied bushing kit into each end of the end link. With the supplied 1/2" x 2 3/4" bolt, nut, and washers connect to the upper sway bar mount. **On 1997-2002 Models** locate the new Fabtech quick disconnect frame bracket FT50067. With the supplied Fabtech quick disconnect pin FT50025, connect to the quick disconnect bracket, as shown below. Once connected swing the sway bar end link with bracket forward until the bracket comes in contact with the frame. Mark the spot on the frame with a center punch and drill a guide hole. With the supplied 5/16" self taper bolt, attach the quick disconnect bracket to the frame. **On 2003 Models** locate the new Fabtech quick disconnect frame bracket FT50067. Place on top of the frame, under the brake line as shown below. Locate the

supplied FT50096 bolt tab and insert into the frame from the bottom side. Using the supplied 5/16" nylok nut, and washer attach the bracket to the frame. SEE PHOTOS BELOW AND ON NEXT PAGE. **Do not connect the sway bar to the axle at this time.**



Drv. Side End Link

Pass. Side End Link



Frame Bracket on 1997-2002 Models

18. Locate the factory pitman arm, remove and discard, save hardware. Locate the new Fabtech drop pitman arm FT50015. Install back onto the truck in the same clock position as when removed, use the factory hardware and the supplied cotter pin to attach, torque to 185 ft lbs. SEE PHOTO BELOW.



19. Using a drill with a 3/4" drill bit, drill the factory upper trac bar mount hole out. Locate insert 95010 and insert into the factory mounting hole from the topside. Locate FT50134 Trac Bar Drop bracket and place against the frame as shown below. Insert the supplied 9/16" bolt from the top of the factory trac bar mount down into the new drop bracket and follow with another flat washer and C-Lock nut. With the new drop bracket flush to the factory mount, torque to 95 lbs. Using a drill with a 1/2" drill bit, drill the second hole on the drop bracket out through the frame mount. Using the supplied 1/2" x 2" bolt nut and washers secure it to the frame (use care to put a 1/2" washer on both the bolt side and nut when installing. Torque both bolts to 75 ft. lbs. SEE DRAWING IN NEXT COLUMN AND ON LAST PAGE

Check fit front trac bar bracket before drilling the hole, if bracket does not fit contact Fabtech tech line 887-432-2832

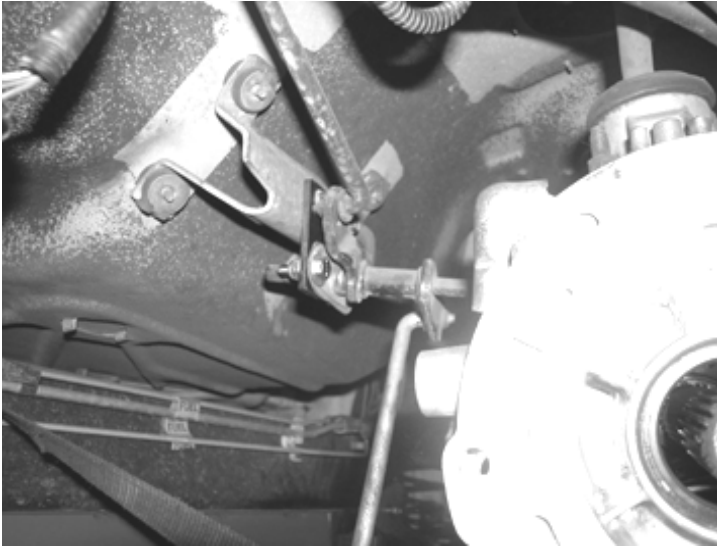


SEE DIAGRAM ON LAST PAGE

20. Reattach factory trac bar to the new drop bracket with the factory hardware torque to 55 ft. lbs. Insert the new supplied cotter pin through the factory trac bar.
21. With a transmission jack support the transmission and transfer case, remove the factory transmission crossmember, discard factory hardware.
22. Locate the factory transfer case shift linkage on the driver side of the transmission. Remove the two bolts securing the linkage to the body. **(On some models you may need to remove the linkage pivot arm for the truck and bend the tab connecting the linkage pivot arm to the floor shifter to clearance the new linkage drop bracket bolts. It is recommend to install the linkage drop first to check for clearance, if clearance is needed then proceed in bending tab. See Photo In Next Column).** Locate the new Fabtech linkage drop bracket FT50063. Using the supplied 1/4 x 1" bolts, nuts, and washers attach the factory linkage to the lower two holes in the new linkage bracket. Using the factory hardware attach the new Fabtech bracket to the body. SEE PHOTOS ON NEXT PAGE. **NOTE: WHEN INSTALLATION OF LIFT KIT IS COMPLETE YOU MAY NEED TO ADJUST LINKAGE ROD ON THE TRANSFER CASE LINKAGE FOR PROPER SHIFTING.**



Linkage Pictured Bent Above



23. On manual transmission models you will need to remove the shifter arm from the center console of the truck and make a small bend in the shift arm as shown below. SEE PHOTO BELOW AND IN NEXT COLUMN.



Shifter Unbent



Shifter Bent

24. Locate the Fabtech transmission crossmember spacers FT50024 and **(FT50205 Pan Bolt Taper Insert for 97-02 Models only)**. Using the correct supplied bolts and washers for your year Jeep, 1/2" x 3 1/4" (1997-2002) or 12mm-1.5 x 69.5mm (2003) reattach factory crossmember to the truck with the Fabtech spacer between the frame and the crossmember. Torque bolts to 85 ft lbs. On 97-02 models, place the Pan Bolt Taper Insert into the crossmember before the bolting the crossmember to the frame. SEE PHOTOS BELOW AND ON NEXT PAGE.





25. Reinstall the front driveline, using factory hardware.
26. Install the front tires and wheels. Torque the lug nuts to wheel manufacturers specifications.

REAR SUSPENSION INSTRUCTIONS:

27. Jack up the rear end of the vehicle and support the frame rails just in front of the rear bumper with jack stands. **NEVER WORK UNDER AN UNSUPPORTED VEHICLE!** Remove the rear tires. Support the rear axle with a floor jack just enough so that axle does not hang freely.
28. Working on both sides of the truck and supporting the rear differential with a jack remove and discard the rear shocks, save shock hardware. Use care not to over extend the brake hose.
29. Remove and discard the factory rear sway bar end links. Save hardware.
30. Locate the lower track bar mount on the axle. Disconnect the track bar from the axle and save hardware. Pull track bar free from the factory mount. Remove the factory plastic trim guard from the track bar axle mount and discard.
31. Remove the coil springs and discard.
32. Remove the factory rubber bump stop and discard.
33. Working from the driver side of the truck, locate the factory lower link arm, remove and discard link, save the factory hardware.
34. Locate the new Fabtech lower link arm FT50018. Install one of the supplied grease fitting into each end of the new Fabtech link arm. Using factory hardware install new Fabtech link arm into the factory frame mount, than attach to axel mount using factory hardware. Leave loose. **NOTE: MAKE SURE THE GUSSETS ON BOTH ENDS OF**

THE LINK ARM ARE FACING DOWN. SEE PHOTO BELOW.



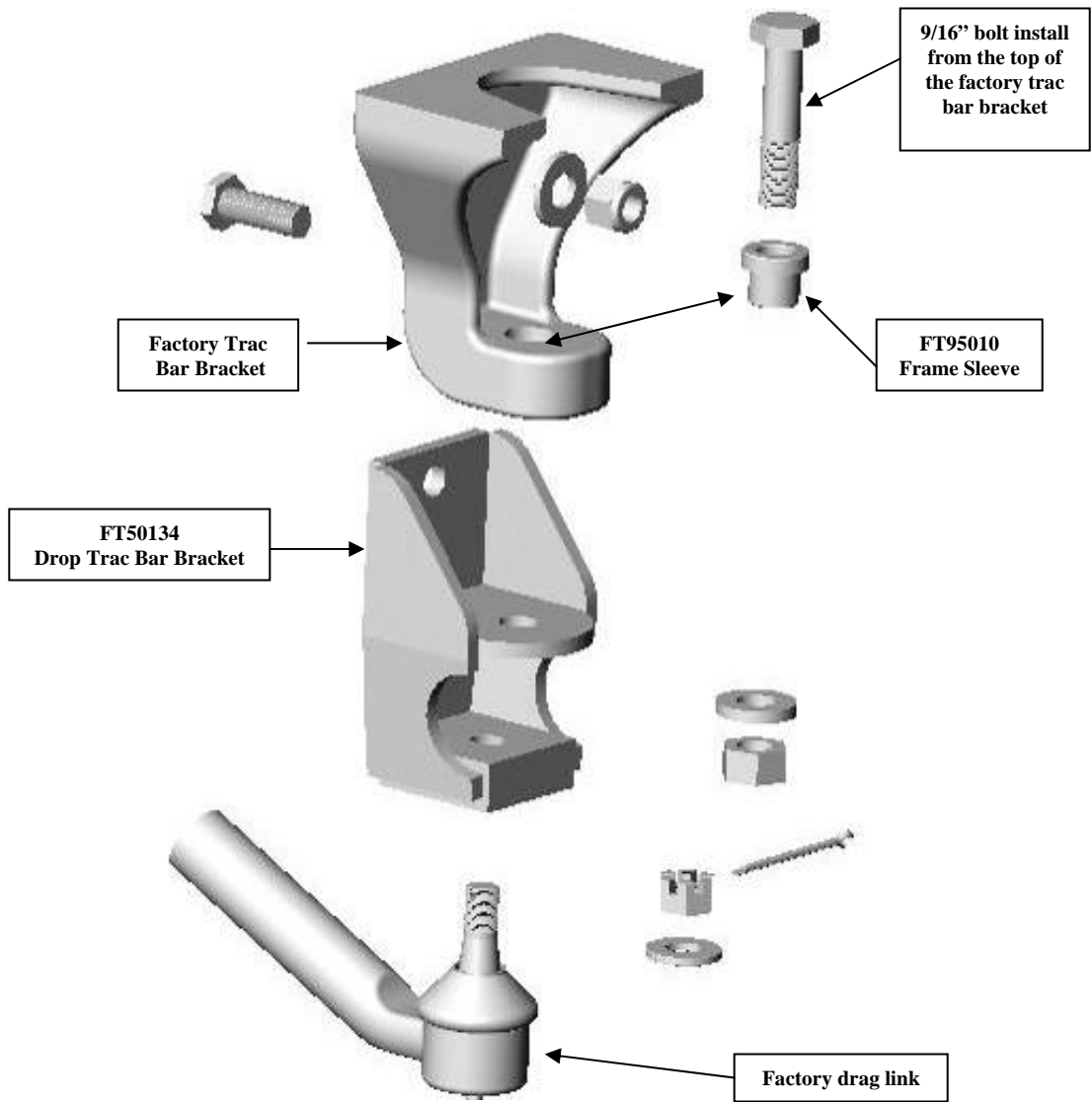
35. If installing Fabtech's optional upper link kit, install rear upper at this time. See instructions included in Fabtech's upper link arm kit.
36. Locate the new Fabtech bump stop FT50027. Install into factory pocket by pushing bump stop in until fully seated.
37. Repeat steps thirty through thirty-five on passenger side of truck.
38. Working from both sides of the truck torque the lower link arms to 130 ft. lbs.
39. Locate the new Fabtech lift coils FT50005. Install new lift coils into truck.
40. Locate the new Fabtech shocks FTS6001 (not included in kit). Install on truck using factory hardware.
41. Locate the supplied FT50026 rear sway bar end links. Press in one bushing and one sleeve into each end of the end link. Install the end links onto truck using stock hardware. Torque to 45 ft lbs.
42. Locate the new Fabtech rear track bar bracket FT50053BK. Place the bracket on factory axel mount. With the supplied 1/2" x 3" bolt, nut, washers, and Fabtech sleeve FT46 attach the lower hole of the bracket to the factory hole in the axle bracket. (NOTE: THE SUPPLIED SLEEVE WILL BE PLACED INSIDE THE FACTORY TRAC BAR POCKET TO TAKE THE PLACE OF WERE THE TRAC BAR WAS ORIGINALLY MOUNTED). Locate the hole in the Fabtech bracket on the outer side. Drill a 1/2" hole through the factory axle mount. Attach with the supplied 1/2" x 1 1/4" bolt, nut, and washers. Reattach the track bar to the new bracket with the factory hardware. Torque all track bar bolts to 74 ft. lbs. SEE PHOTO BELOW.



43. Install rear tires and wheels and torque lug nuts to wheel manufacturer's specifications. Turn front tires left to right and check for appropriate tire clearance.
44. With the truck on level ground, connect front Sway Bar End Links to axle mounts. SEE PHOTO BELOW.



45. Using a grease gun, grease all grease fittings in the new Fabtech Link Arms.
46. Recheck all nuts and bolts for proper torque tightness before driving. Drive the truck for 50 miles and have it aligned to factory specifications.
47. Check front-end alignment and set to factory specifications. Re-adjust headlights.



RETORQUE ALL NUTS, BOLTS AND LUGS AFTER 50 MILES AND PERIODICALLY THEREAFTER.
For technical assistance call: 909-597-7800

Product Warranty and Warnings-

Fabtech provides a Limited Lifetime Warranty to the original retail purchaser who owns the vehicle, on which the product was originally installed, for defects in workmanship and materials.

The Limited Lifetime Warranty excludes the following Fabtech items; bushings, bump stops, ball joints, tie rod ends, limiting straps, cross shafts, hemi joints. These parts are subject to wear and are not considered defective when worn. They are warranted for 60 days from the date of purchase for defects in workmanship.

Take apart shocks are considered a serviceable shock with a one-year warranty on leakage only. Service seal kits are available separately for future maintenance. All other shocks are covered under our Limited Lifetime Warranty.

Fabtech does not warrant any product for finish, alterations, modifications and/or installation contrary to Fabtech's instructions. Alterations to the finish of the parts including but not limited to painting, powdercoating, plating and/or welding will void all warranties. Some finish damage may occur to parts during shipping which is considered normal and is not covered under warranty.

Fabtech products are not designed nor intended to be installed on vehicles used in race applications or for racing purposes or for similar activities. (A "RACE" is defined as any contest between two or more vehicles, or any contest of one or more vehicle against the clock, whether or not such contest is for a prize). This warranty does not include coverage for police or taxi vehicles, race vehicles, or vehicles used for government or commercial purposes. Also excluded from this warranty are sales outside of the United States of America.

Installation of most suspension products will raise the center of gravity of the vehicle and will cause the vehicle to handle differently than stock. It may increase the vehicle's susceptibility to a rollover, on road and off road, at all speeds. Extreme care should be taken to operate the vehicle safely at all times to prevent rollover or loss of control resulting in serious injury or death. Fabtech front end Desert Guards may impair the deployment or operation of vehicles equipped with supplemental restraining systems/air bag systems and should not be installed if the vehicle is equipped as so.

Fabtech makes every effort to ensure suspension product compatibility with all vehicles listed in the catalog, but due to unknown auto manufacturers production changes and/or inconsistencies by the auto manufacturer, Fabtech cannot be responsible for 100% compatibility, including the fitment of tire and wheel sizes listed. The Tire and Wheel sizes listed in Fabtech's catalog are only a guideline for street driving with noted fender trimming. Fabtech is not responsible for damages to the vehicle's body or tires.

Fabtech's obligation under this warranty is limited to the repair or replacement, at Fabtech option, of the defective product only. All costs of removal, installation or re-installation, freight charges, incidental or consequential damages are expressly excluded from this warranty. Fabtech is not responsible for damages and/or warranty of other vehicle parts related or non related to the installed Fabtech product. This warranty is expressly in lieu of all other warranties expressed or implied. This warranty shall not apply to any product that has been subject to accident, negligence, alteration, abuse or misuse as determined by Fabtech.

Fabtech suspension components must be installed as a complete system including shocks as shown in our current catalog. All warranties will become void if Fabtech parts are combined and/or substituted with other aftermarket suspension products. Combination and/or substitution of other aftermarket suspension parts may cause premature wear and/or product failure resulting in an accident causing injury or death. Fabtech does not warrant products not manufactured by Fabtech.

Installation of Fabtech product may void the vehicles factory warranty; it is the consumer's responsibility to check with their local vehicle's dealer for warranty disposition before the installation of the product.

It is the responsibility of the distributor and/or the retailer to review all warranties and warnings of Fabtech products with the consumer prior to purchase.

Fabtech reserves the right to supercede, discontinue, change the design, finish, part number and, or application of parts when deemed necessary without written notice. Fabtech is not responsible for misprints or typographical errors within the catalog or price sheet.